



We Stand for
Quality
and **Safety**



NEW CROWN™
Elevators Pvt. Ltd.

Lift Installation | Supplier | Home Lift
(Manufacturer) (Gearless, Machine Roomless)

ISO 9001:2008 & OHSAS 18001:2007 Certified Company



Trust the Expertise and Experience

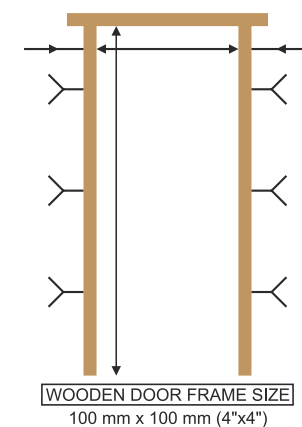
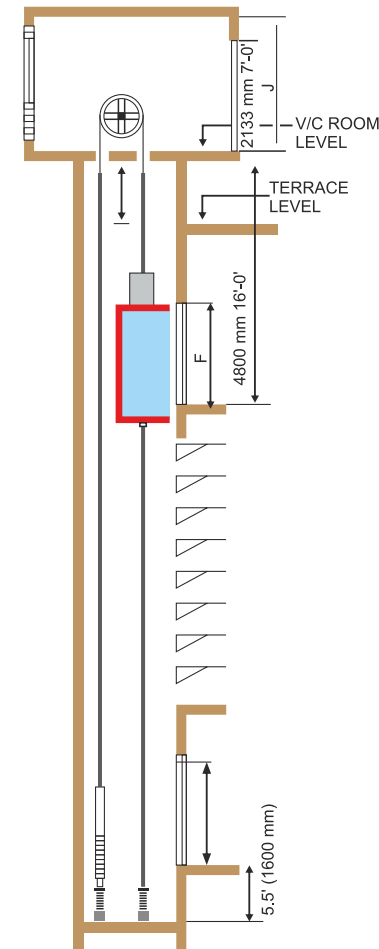
- ▶▶ NCE stands for state-of-the technology.
- ▶▶ Comfortable drive systems with substantial energy saving.
- ▶▶ Intelligent micro-computer controller guarantee optimized management and short waiting times.
- ▶▶ Functional design and aesthetic appearance demonstrate quality and modern technology.
- ▶▶ Our major focus is on people and their needs for reliable operation, safety, aesthetic appeal and economy.
- ▶▶ Qualified installation is the precondition for a smooth and reliable operation.
- ▶▶ NCE ensure through high-qualified supervisor that every installation reflects the high standard.



Landing Doors



Telescopic Manual Landing Door Block-Bond Teak Veneer Swing Door MS Swing Door with Inbuilt Door Closer Door Frame MS Imperforate Door MS Collapsible Door Centre Opening Autodoor Telescopic Glass Door



Glass Panels

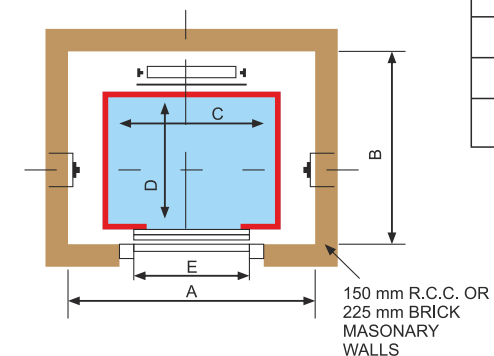
Large areas of clear visibility are afforded by about two metre high laminated glass panels that cover three sides of the lift. These 8mm safety glass panels are supported by aluminium extruded frames, powder coated in jet black.

- Ceiling
- Lighting
- Ventilation Flooring
- Handrail
- Side, Return and Facia Panels
- Observation Car Exterior
- Car/Landing doors
- Capacity: 8, 10, 13, 16 persons
- Speed: 0.7, 1.0, 1.5 m/s
- Drive: ACV3F

| Capacity | | Dimensions (mm) | | | | | |
|----------|------|-----------------|------|------|------|------|------|
| Persons | Kg. | A | B | C | D | E | F |
| 8 | 544 | 1100 | 1400 | 2350 | 1300 | 800 | 1900 |
| 10 | 680 | 1350 | 1400 | 2600 | 1300 | 800 | 1900 |
| 13 | 884 | 1350 | 1700 | 2600 | 1600 | 900 | 2200 |
| 16 | 1088 | 1600 | 1700 | 2800 | 1600 | 1000 | 2200 |

Machine Room Dimensions

Width -C+2000
 Depth -F+1500
 Height -3300
 Over Head Room Height -4800
 Pit Depth -2000



| Load | | Lift-Well | | Car-Inside | | Entrance | Machine Room | |
|---------|------|-----------|------|------------|------|----------|--------------|------|
| Persons | Kg. | A | B | C | D | E | K | L |
| 5 | 340 | 1600 | 1200 | 1170 | 820 | 760 | 1600 | 3350 |
| 6 | 408 | 1600 | 1400 | 1100 | 1000 | 760 | 1600 | 3550 |
| 8 | 544 | 1800 | 1500 | 1300 | 1100 | 760 | 1800 | 4000 |
| 8 | 544 | 1900 | 1900 | 1300 | 1100 | 800 | 3400 | 4400 |
| 10 | 680 | 1900 | 2100 | 1350 | 1300 | 800 | 3400 | 4600 |
| 13 | 884 | 2500 | 1900 | 2000 | 1100 | 900 | 4000 | 4400 |
| 16 | 1088 | 2500 | 2100 | 2000 | 1300 | 1000 | 4000 | 4600 |
| 20 | 1360 | 2500 | 2400 | 2000 | 1550 | 1000 | 4000 | 4900 |



Tacking Eco-Efficiency to New Heights



Capacity 4-30 Passengers

Advantages

- Latest Technology in the world.
- Smoothest Travel
- Absolute freedom in building designs
- Substantial saving on electricity cost
- Save the construction cost
- More safe



Core of energy saving gearless permanent magnet synchronous traction machine

Effective and Energy-Living

Green Environmental Protection



Space-Living



Low Noise



MRL Gearless machine
Capacity 6 to 20 Passengers



To move freight, you an elevator that build for frieght

Goods Elevator



We are engaged in presenting a wide array of freight elevators that help in transferring of loads from one level to another. These goods elevator are extensively use in factories and storage facilities for the movement of goods between floors, these elevators are known for their high speed and smooth operations. Designed as per the set industry standards.

Capacity 500 to 5000 Kg



Car Elevator

Capacity 500 to 5000 Kg

Car Decoration (Optional)

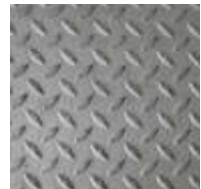
- Item : Style
- Car Ceiling : Hairline Stainless Steel
- Car Wall, Car Door : Hairline Stainless Steel
- C.O.P : Hairline Stainless Steel
- Car Floor : Hairline Stainless Steel
- Sill : Alloyed Hard Aluminum

Car Decoration (Optional)

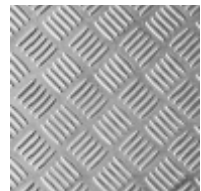
- Item : Style
- Car Ceiling : Painted Steel
- Car Wall, Car Door : Painted Steel
- C.O.P : Hairline Stainless Steel
- Car Floor : Chequer Steel
- Sill : Alloyed Hard Aluminum



Flooring



M.S. Chequered Plate



Aluminum Chequered Plate

Entrance



4 Part Center Opening Door



Imperforate Goods Door



Hospital Lift





GreenStar Mini

PMSM Gearless Machines for Home Elevators

- The new GreenStar Mini simplifies vertical mobility inside your home.
- Travel comfortably to every floor.
- Give elderly and dependent people the freedom to move from floor to floor without using the stairs.
- GreenStar Mini is a Gearless PMSM machine, ideal for loads up to 300 kg and travel up to 15 meters.
- GreenStar Mini is compact and facilitates elevators with a minimum of space and civil work.
- GreenStar Mini operates on single-phase 230V domestic power supply.
- GreenStar Mini is silent, it uses no oil, reduces power consumption and is also eco-friendly.
- Unique design and layout permit entrances from three sides.

| Model No. | Duty Load (Kg) Up to | Equivalent Pass Capacity (Nos.) Upto | Speed (m/s) Up to | Rope Dia (mm) | Pulley Dia (mm) | No. of Ropes | Nominal Consumption (A) | Nominal Power (Kw) | Nominal Power (HP) | RPM | Rated Frequency (Hz) | Rated Torque (Nm) | Voltage (V) Weight | Approx. Machine (Kg) | Suitable Single Phase 230VAC, 50Hz, KEB Drive (Kw) |
|-------------------|----------------------|--------------------------------------|-------------------|---------------|-----------------|--------------|-------------------------|--------------------|--------------------|-----|----------------------|-------------------|--------------------|----------------------|--|
| GH75100032 | 300 | 4 | 0.32 | 4 | 100 | 4 | 3.0 | 0.75 | 1.0 | 120 | 12 | 60 | 230 | 70 | 0.75 |
| GH75200032 | 300 | 4 | 0.32 | 6 | 200 | 4 | 5.5 | 1.30 | 1.4 | 60 | 6 | 100 | 230 | 80 | 1.50 |

- IMPORTANT NOTES:**
- Roping - 2:1
 - Duty Cycle - S3-40%
 - Car Weight (kg) < 300
 - Static Load - 1000 kg (Max.)
 - Start/Day - 150
 - Shaft Efficiency - 85%
 - Brake Voltage - 110 Vdc

Control/Signal Features:

1. Simplex down collective
2. Inspection operation
3. Direction indicators
4. Call registration indication
5. 7 segment display for floor indication (B,G,1,2,3 or G,1,2,3,4)
6. Auto fan off
7. UPS compatible

STANDARD ACCESSORIES SUPPLIED WITH EACH CONTROL PANEL



GreenStar

Permanent Magnet Gearless Machines for Elevators

GreenStar from Bharat Bijlee is a new-generation gearless machine for elevators powered by permanent magnet synchronous motor. Compact modular design, light weight and low operating noise levels make it especially suitable for machine room-less applications.

Real savings in energy consumption (up to 30%), and in space and routine maintenance, contribute to a significant reduction in cost of ownership. **GreenStar** configured with a KEB variable frequency drive and our 30 years of elevator experience, is an unbeatable value proposition.

Rated load: 4 to 20 passengers.

Rated speed: 0.7 m/s to 2.0 m/s.

GC 04/06 TECHNICAL SPECIFICATION

| Model | GC04-320-100 | GC06-320-070 | GC06-320-100 | GC06-320-125 | GC06-320-150 | GC06-320-175 | GC06-320-200 |
|---------------------------|--------------|--------------|--------------|--------------|--------------|--------------|--------------|
| Duty Load (kg) | 272 | | | | | | 408 |
| Passenger Capacity (Nos.) | 4 | | | | | | 6 |
| Speed (mis) | 1.0 | 0.7 | 1.0 | 1.25 | 1.5 | 1.75 | 2.0 |
| Sheave Dia (mm) | | | | | | | 320 |
| Rope Dia (mm) | | | | | | | 8 |
| No. of Ropes | | | | | | | 4 |
| Roping Ratio | | | | | | | 2:1 |
| RPM | 120 | 84 | 120 | 150 | 180 | 208 | 240 |
| Rated Frequency (Hz) | 12 | 8.4 | 12 | 15 | 18 | 20.8 | 24 |
| Rated Torque (Nm) | 135 | | | | | | 215 |
| Rated Power | (kW) | 2.7 | 3.5 | 3.5 | 5.0 | 5.5 | 6.5 |
| | (Hp) | 3.6 | 4.7 | 4.7 | 6.6 | 7.3 | 8.6 |
| Rated Current (Amp) | 6 | 6.5 | 8 | 12.5 | 12.5 | 12.5 | 12.5 |
| Starts / Hour | 120 | 90 | 120 | | 180 | | |
| Static Load (kg) | | | | | | | 1300 |
| Machine Weight (kg) | | | | | | | 120 |

GC 08/08 TECHNICAL SPECIFICATION

| Model | GC04-320-700 | GC08-320-100 | GC08-320-125 | GC06-320-150 | GC08-320-175 | GC08-320-200 |
|---------------------------|--------------|--------------|--------------|--------------|--------------|--------------|
| Duty Load (kg) | | | | | | 544 |
| Passenger Capacity (Nos.) | | | | | | 8 |
| Speed (mis) | 0.7 | 1.0 | 1.25 | 1.5 | 1.75 | 2.0 |
| Sheave Dia (mm) | | | | | | 320 |
| Rope Dia (mm) | | | | | | 8 |
| No. of Ropes | | | | | | 4 |
| Roping Ratio | | | | | | 2:1 |
| RPM | 84 | 120 | 150 | 180 | 208 | 240 |
| Rated Torque (Nm) | | | | | | 270 |
| Rated Power | (kW) | 4.0 | 4.0 | 4.5 | 6.2 | 7.5 |
| | (Hp) | 5.3 | 5.3 | 6.0 | 8.3 | 10.0 |
| Rated Current (Amp) | 8.5 | 9.4 | 9.4 | 18 | 18 | 18 |
| Starts / Hour | 90 | 120 | | | 180 | |
| Static Load (kg) | | | | | | 1300 |
| Machine Weight (kg) | | | | | | 150 |

Motor Details



There are several type of MOTORS available for the exact need and application for LIFT OPERATIONS. But we have chosen the one with the correct applications, taking into consideration the supply characteristics, car speed and the quality of service to be provided.

The main requirement of a lift motors is, the starting torque must be at-least twice the full load torque.

The main features of our MOTOR is its high starting torque, low starting current, and slip smooth accelerations and performance.



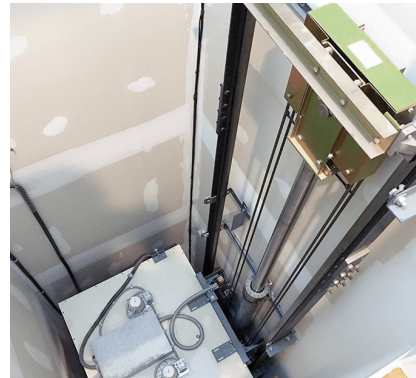
Our Sites

- (01) Govt. RRCAT, Indore.....
- (02) Radhik Builders (Shanti Group).....
- (03) Hotel Cherry Tree.....
- (04) DHL Infra Bulls.....
- (05) Amrapali Group.....
- (06) Bajaj Developer.....
- (07) Kemtani Groups - Jabalpur.....
- (08) Vedant Infrastructure - Bhopal.....
- (09) Karuna Maternity Home.....
- (10) KIBS Hospital.....
- (11) Arogyam Hospital.....
- (12) Aishwarya Hospital.....
- (13) Jai Singh Palace Hotel.....
- (14) Sumairoo Girls Hostel.....
- (15) Mahesh Solanki (Vishnupuri).....
- (16) Govt. Mahl dem 45mtr. Travels..... TATA Elevator
- (17) Govt. M.Y. Hospital, Indore..... E.C.E. Lift
- (18) Punjab National Bank, Head Office, Indore..... Otis Lift
- (19) Bank of India Regional Office..... V3F LIFT
- (20) Deepak Daryani..... AUTO DOOR LIFT
- (21) City Hospital, Malwa Mill..... HOSPITAL LIFT
- (22) Apex Hospital, Dewas..... HOSPITAL LIFT
- (23) Rahul Heights..... TATA Elevator
- (24) Arihant Hospital Bhilwara..... TATA Elevator
- (25) Kutubuddin Aqeel, Rajgarhwala..... TATA Elevator
- (26) Nijanand Printing Press..... TATA Elevator
- (27) Gulmohar Hotel..... TATA Elevator
- (28) Sita Building, Y.N. Road, Indore..... N.C.E Control Lift
- (29) City Plaza, Near Regal Talkies, Indore..... N.C.E. Control Lift
- (30) Jabalpur Motors Work Shop Proj.- Indore..... Car Lift 3000 Kg., B1+B2+B3+G+5 New Crown Elevators
- (31) Abdulla Saikh - Mandsour..... New Crown Elevators
- (32) Amrapali Groups..... Passenger Lift
- (33) Shagun Food Court - Bhilwada..... Tata Elevators
- (34) Airochem Indus.- Ratlam..... Tata Elevators
- (35) Bohra Maszid - Rajwada (Indore)..... New Crown Elevators
- (36) Gurudwara - Bhawanimandi..... Tata Elevators
- (37) Catholic Dios. of India - Indore..... Tata Elevators
- (38) Raju Kalsi - Vishnupuri (Indore)..... Residencial Lift (Tata Elevators)
- (39) Eureka Hospital - Palasia..... Hospital Lift (Tata Elevators)
- (40) Moti Mahal - Gwalior..... Auto Door Lift (Tata Elevators)
- (41) Mr. V.P. Sarmandal Ji..... B.B.L. Home Lift Machine Room Less (New Crown Elevator)
- (42) Mrs. Sadhna Jain - Indore..... Auto Door Lift (Tata Elevators)
- (43) Premium Interior Decoration - Bhilwada..... Auto Door Lift (New Crown Elevators)
- (44) Girish Gandhi-Bhilwada..... Auto Door Lift (New Crown Elevators)





Quality Assurance
Best Services
Value for Money



Hydraulic
Elevator



NEW CROWN™
Elevators Pvt. Ltd.

Lift Installation | Supplier | Home Lift

(Manufacturer) (Gearless, Machine Roomless)

ISO 9001:2008 & OHSAS 18001:2007 Certified Company

190, Koushalyapuri, Anand Nagar Main Road, INDORE (M.P.)
Gram: "ASHIRWAD" Phone: 0731-4065161
Cell: 9826012828, 9039012828, 9926905454, 8226002882.
newcrawnelevators@gmail.com • rajendra_nce@yahoo.co.in

Branches:

- Jabalpur 82260 02882
- Bhopal 93000 36551
- Gwalior 90390 12828
- Bhilwara (Raj.) 79877 24261
- Jaipur (Raj.) 96942 87266, 96108 12828